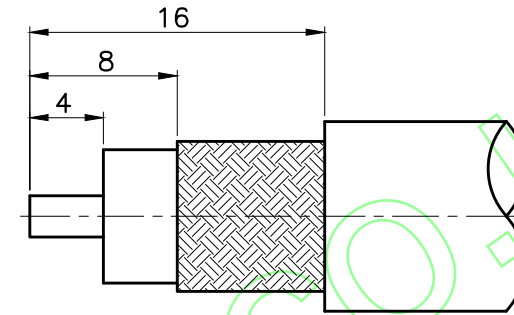
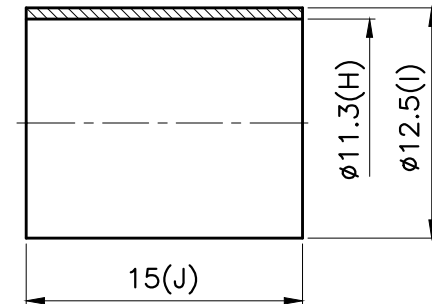
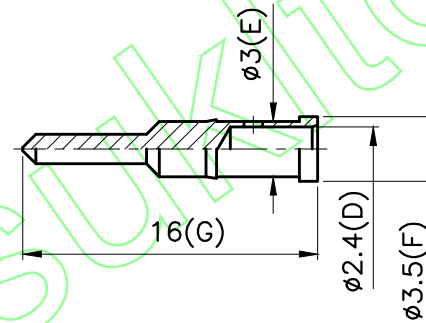
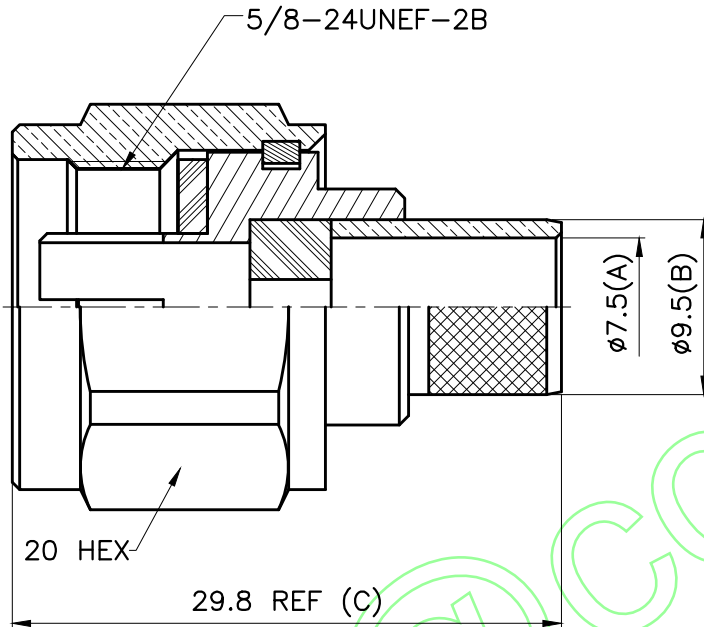


REVISIONS		
ISS	DESCRIPTION	DATE

RoHS COMPLIANT



RECOMMENDED
CABLE STRIPPING DIM'S



1. CRIMPED FERRULE
HEX CRIMP SIZE .429"
2. CRIMPED CONTACT PIN
HEX CRIMP SIZE .100" OR SOLDER

CONNECTORS CABLES



SPECIALISTS LTD.

APRD:	UNLESS OTHERWISE SPECIFIED TOLERANCES 0.5-6 = ±0.2 >6-30 = ±0.4 >30-120 = ±0.6 >120-315 = ±1 >315-1000 = ±1.6 ANGLES = ±5°	FERRULE	BRASS	NICKEL
CHKD:		CONTACT PIN	BRASS	GOLD
DR:		SHELL	BRASS	NICKEL
TITLE: N MALE CRIMP (FOR 214/U)	DATE: 04/03/19"	C RING	BRASS	NONE
PART NO: NPCR214HEX	UNIT: mm	GASKET	RUBBER	RED
DRAWING NO:	SCALE: 2.5/1	BODY	BRASS	NICKEL
		INSULATOR	TEFLON	WHITE
		BODY	BRASS	NICKEL
		NO. DESCRIPTION	MATERIAL	FINISH